

**drive**

**DeVilbiss**  
HEALTHCARE



# Lightweight Aluminium Wheelchair

CE

User Manual

# Contents

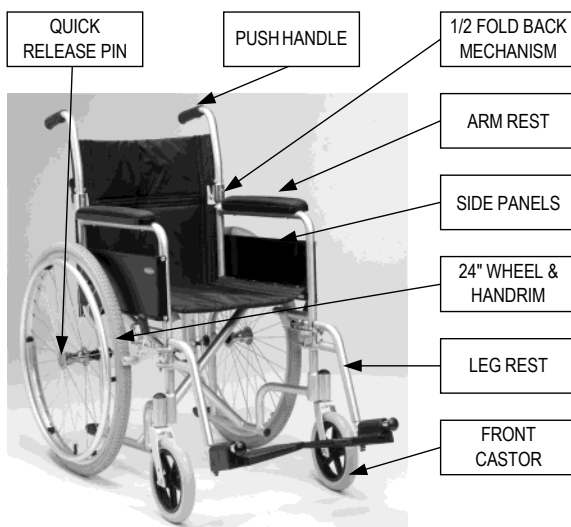
1. Contents
2. Introduction
3. Parts Description
4. Leg Rest Operation
5. Folding Back Mechanism
6. Disassembly and Folding
7. Using the Stepper Tube
8. Brake Operation
9. Operation and Propulsion
10. Using a Lap Belt
11. Specification
12. Warranty

## Introduction

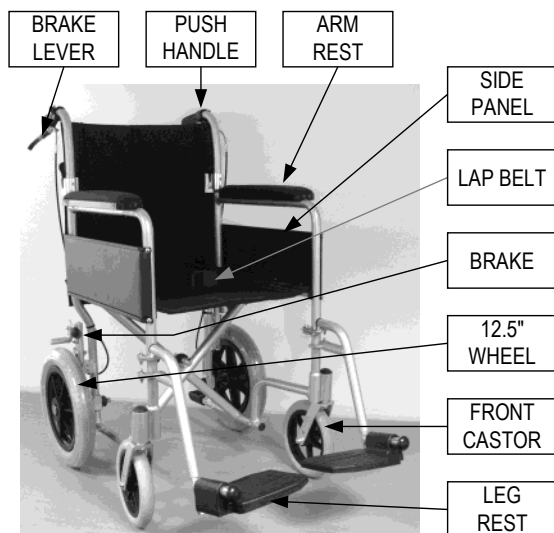
The lightweight aluminium wheelchair is designed for occasional or frequent use, and can be used indoors and outdoors. The wheelchair is designed for a single user of up to 115kg (18 stone). The wheelchair is available in either a transit or self propel model.

The wheelchair can be manually moved in forward and reverse and is propelled either by the wheelchair user or a carer, depending upon the model of wheelchair in use.

## Parts Description



Self Propel (LAWC001)



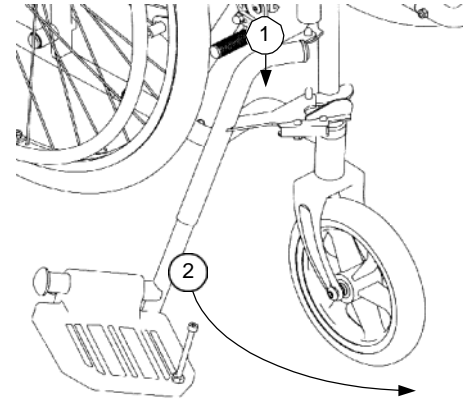
Transit (LAWC002)

## Leg rest Adjustment

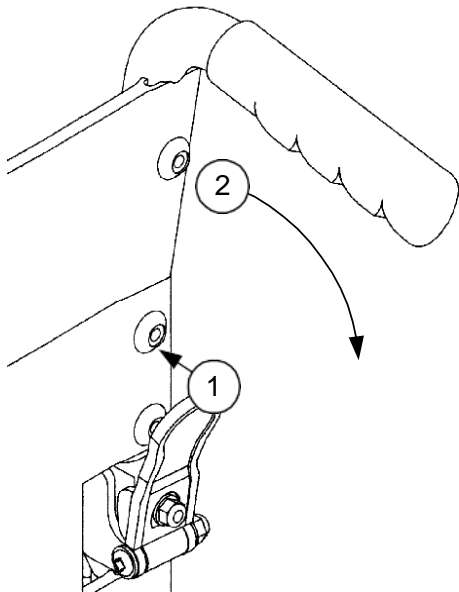
For optimum comfort it is important to attain the correct leg position. The footrests have been designed so that they can be extended into one of 5 fixed positions. Unscrew the black knob on the back of the silver tubing. Adjust the legrest as required then reattach the black knob to secure.

To install the leg rests, place the leg rest brackets on the pins at the side of the wheelchair frame (as shown by "1") then swing in the leg rest ("2") until it locks in position.

Leg rests will swing in or out to reduce the length of the wheelchair. Push chrome lever whilst rotating the leg rest. To remove, simply pull up on the leg rest when swung out.



## Folding Back Mechanism



Push the black paddle towards the back post with your thumb (1) whilst pulling the handle down (2), as shown. Repeat this operation for the other handle. To put the backrest back into position, lift both handles together and the folding mechanism will lock back automatically.

Do not push down on the handles to raise the front of the wheelchair, as this could result in damage to the wheelchair. Use the stepper tube as described later in the handbook.

## Disassembly And Storage

This wheelchair has a number of quick release components and the wheelchair frame is easily foldable to facilitate a light carry weight and minimize storage space.

1. Quick Release Wheel.

On the self propel model, the rear wheels can be removed. To remove the rear wheel, push the button in the centre of the wheel hub and slide the wheel from its axle.

2. Half Folding Back. Follow the previous instructions to fold the back.

3. Leg Rests. Follow the previous instructions to remove or swing out the leg rests.

4. Folding the wheelchair.

Grab the centre of the front and rear edges of the seat sling. Pull upwards on the seat sling and the wheelchair should naturally fold up.

***IMPORTANT:** The wheelchair has not been tested as a seat in a motor vehicle. Users should always transfer to the vehicle's seat and the wheelchair should be safely stowed away.*

## Using The Stepper Tube

An attendant can use the stepper tube to raise the front castors (when mounting a kerb for example). To use, push down on the stepper tube with a foot. Do not raise the front castors by pushing down on the push handles as this could result in damage to the wheelchair.

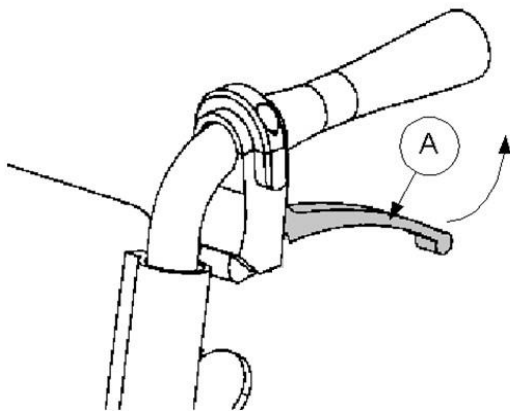
To mount a kerb. Approach the kerb head on. Then the attendant uses the stepper tube to raise the front castors, and lowers the front castors on the raised kerb. Finally the attendant should push the wheelchair forward, lifting it up slightly to mount the kerb if required.

To go down a kerb. Line up the front castors with the edge of the kerb. The attendant uses the stepper tube to raise the front castors and tip the user slightly back. Keeping the castors raised, slowly lower the wheelchair down the kerb.

## Brake Operation

### Parking Brakes

To apply the parking brakes, push the handle on the brake unit until locked in place. To release the brake, push the handle in the opposite direction. The brakes should always be applied when the wheelchair is stationary.



### Cable Brakes

On the transit model, the attendant pushing the wheelchair may use cable-operated brakes to slow the wheelchair. To apply the brakes, squeeze the large lever (A) on the push handles and the brakes will be applied. Release the levers to remove the brake.

When stationary, apply the parking brakes as described above.

## Operation And Propulsion



Before Using the Wheelchair read the safety notices below:

- Use slow speeds on gradients. Do not exceed the maximum gradient stated.
- The wheelchair is only suitable for single occupancy.
- Keep your feet on the footplates when moving. Do not stand on the footplates.
- Do not use escalators.
- Do not reverse down a gradient
- Maintain proper balance at all times. Users should not move their centre of gravity out of the seating area.
- Do not reach for items further than your arm will extend.
- Be aware of hazards in your environment, such as narrow doorways, steps, household appliances, children's toys, etc.
- We recommend you consult your healthcare professional for advice about transferring to and from the wheelchair. The parking brakes should always be applied when transferring.
- Ensure that fingers and objects do not get caught in the spokes of the rear wheels.

The transit wheelchair can only be propelled by an attendant. The attendant should push the wheelchair from behind using the handgrips, and following the safety advice above.

The self propel wheelchair can be propelled by an attendant (as directed above) or the wheelchair user. The user can propel themselves by pushing on the handrims attached to the side of the rear wheels, and slow themselves down by applying pressure to the handrims.

When stationary the brakes should always be applied.

## Using The Lap Belt

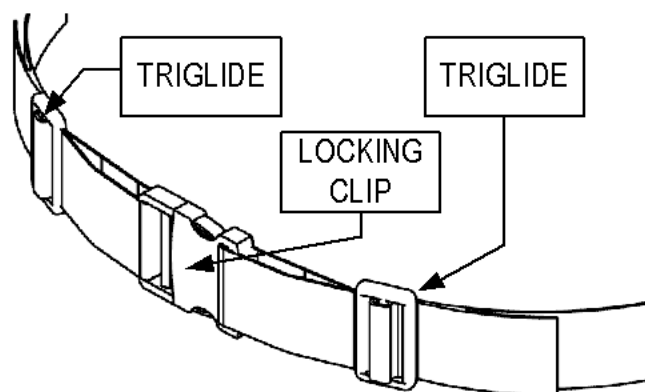
The lap belt is to restrain the wheelchair occupant during normal use. The lap belt is not to be used as a seat belt in a motor vehicle. Under no circumstances should the Travel Chair be used as a seat in a motor vehicle (e.g. cars, buses, trains, etc). The lap belt comes as standard with the LAWC002. It is available as an option on the LAWC001.

The lap belt should be adjusted to suit each user. The length of the belt can be adjusted by the tri-glides (as shown in the diagram overleaf). The lap belt has a luggage-style large locking clip to fasten and unfasten the lap belt. To fasten the lap belt, push the clip in to the receiver until it locks in the position (which can be heard by an audible click).

When fastened, the lap belt should be tight around the user's pelvis without causing discomfort or undue pressure. This will help keep the user's hips and pelvis towards the back of the wheelchair. Use the tri-glides (shown) to adjust the length of the lap belt. The length of the lap belt should be checked each time the belt is used.

There is a risk of suffocation from users 'submarining' (where they slide down the chair until the lap belt is around the neck area). To reduce the risk of this, ensure that the lap belt is used under supervision and is used as instructed.

The lap belt may not be suitable for all users of wheelchairs. Seek professional medical advice before using the lap belt.



## Care And Maintenance

- Before each use of the wheelchair, the brakes and tyres should be checked.
- The wheelchair should be stored in a dry environment, away from direct sunlight. When in storage the wheelchair can be folded up
- The wheelchair should be kept clean and dust free. This can be done with a duster or damp cloth.
- The user should routinely check the following items. It is recommended that a Drive DeVilbiss dealer services the wheelchair annually, where these items should be repaired, replaced, adjusted and/or lubricated if required:
  - Tyre wear
  - Wheel bearings
  - Castors
  - Brakes
  - Legrest locking mechanism
  - Seat upholstery
  - Back upholstery
  - Arm pads
  - Rear wheel quick release pin
  - Half folding back mechanism
  - Back posts
  - Wheelchair (folds up)



## Powerpack Installation



This wheelchair is suitable for some retrofit powerpacks, such as the PowerStroll. A suggested configuration is shown left.

Note this is a suggestion, and the mounting position will need adapting to be suitable for the user and the powerpack used. For more information about the PowerStroll contact your Drive DeVilbiss dealer or visit [www.drivedevilbiss.co.uk](http://www.drivedevilbiss.co.uk) for more details.

	LAWC001	LAWC002
Dimensions *1 (L x W x H)	106 x 61 x 90cm 41 <sup>3</sup> / <sub>4</sub> " x 24" x 35 <sup>1</sup> / <sub>2</sub> "	96 x 55 x 91cm 38" x 21 <sup>3</sup> / <sub>4</sub> " x 36"
Dimensions *2 (L x W x H)	71 x 24 x 70cm 28" x 9 <sup>1</sup> / <sub>2</sub> " x 27 <sup>1</sup> / <sub>2</sub> "	66 x 29 x 74cm 26" x 11 <sup>1</sup> / <sub>2</sub> " x 29"
Seat (W x D x H)	46 x 40 x 48cm 18" x 15 <sup>3</sup> / <sub>4</sub> " x 19"	46 x 40 x 48cm 18" x 15 <sup>3</sup> / <sub>4</sub> " x 19"
Wheel Spacing	43cm / 17"	43cm / 17"
Weight * 1	14.5kg / 31.9lb	12.4kg / 27.3lb
Weight * 2	8.5kg / 18.7lb	11kg / 22lb
Max User Mass	115kg / 18 stone	115kg / 18 stone
Max Gradient	10°	10°

*Dimensions \* 1 refers the wheelchair assembled*

*Dimensions \*2 refers to the wheelchair folded and parts removed*

*Weight \*1 is the total weight.*

*Weight \*2 is the weight without removable components*

*We reserve the right to change designs and specifications.*

## Warranty

Your Drive DeVilbiss branded product is warranted to be free of defects in materials and workmanship for one year from date of purchase. This device was built to exacting standards and carefully inspected prior to shipment. This warranty is an expression of our confidence in the materials and workmanship of our products and our assurance to the customer.

In the event of a defect covered by this warranty, we will at our option supply parts or replace the device. This warranty does not cover device failure due to owner misuse or negligence, or normal wear and tear. The warranty does not extend to non-durable components, such as rubber accessories, castors and grips, which are subject to normal wear and need periodic replacement. The wheelchair frame has a 5-year warranty.

If you have any queries or require full warranty conditions, please contact your Drive DeVilbiss stockist.

### **Drive Germany:**

**Drive Medical GmbH & Co. KG  
Leutkircher StraBe 44  
D-88316 Isny/Allgau (Germany)**

**Web [www.drivemedical.de](http://www.drivemedical.de)**

### **Drive UK:**

**Drive DeVilbiss Healthcare Ltd  
Heathfield lane, Birkenshaw  
West Yorkshire BD11 2HW**

**Web [www.drivedevilbiss.co.uk](http://www.drivedevilbiss.co.uk)**

## Spare parts available

The following spare parts are available for your wheelchair:

Z16130-01: RHS cross brace	Z16460-01: 24" rear wheel
Z16140-01: LHS cross brace	Z17480-01: 12.5" rear wheel
Z16210-01: Seat canvas	Z10592-01VY: Arm pad
Z16260-01: Back canvas	Z17593-01: Side panel
Z16325-01: Push handle (Self Propel)	Z16600-01: LHS leg rest
Z16330-01: Push handle (Transit)	Z16650-01: RHS leg rest
Z16350-01: Half fold mechanism	Z16700-01: RHS brake (for 24" wheel)
Z16410-01: Castor wheel and fork	Z16750-01: LHS brake (for 24" wheel)
Z16451-01: Quick release pin for 24" wheel	EB004: Brake set (for 12.5" wheel)
Z16425-01: Rear Wheel Hub Cap (LAWC002)	Z15427-01: Castor Housing Cap

The parts are available exclusively from Drive DeVilbiss stockists. To order the parts please visit the stockist where you bought the wheelchair or visit [www.drivedevilbiss.co.uk](http://www.drivedevilbiss.co.uk) to find your local stockist.

Spare part catalogues and other documentation can also be found at [www.drivedevilbiss.co.uk/technical-support](http://www.drivedevilbiss.co.uk/technical-support)



The Team at Drive DeVilbiss develops its products to give our customers the freedom to live independently. This encompasses their daily home life and provides them with the opportunity to enjoy an outing with family and friends. Our goal is to develop a range that will provide individuals with a chance to enjoy every day life.

Dealer Stamp



Drive DeVilbiss Healthcare Ltd, Heathfield Lane,  
Birkenshaw, West Yorkshire, BD11 2HW

Tel: 0845 0600 333

Fax: 0845 0600 334

Email: [info@drivedevilbiss.co.uk](mailto:info@drivedevilbiss.co.uk)

[www.drivedevilbiss.co.uk](http://www.drivedevilbiss.co.uk)